



## Short description



- Easy installation
- Alloy Steel
- Can be used with Load Cell models: H3, H3F, H3G, B3G and BM3

## Available models

Model	Capacity	Full article description	Part number
HL-3-003	25-100kg	HL-3-003-25/50/100kg-LM M8	2030110
HL-3-003	100-150kg	HL-3-003-100/150kg-LM M10	2030120
HL-3-003	200-1000kg	HL-3-003-200/1000kg-LM M12x1.75	2030140
HL-3-003	1500kg	HL-3-003-1500kg-LM M12x1.75	2030141
HL-3-003	2-3t	HL-3-003-2/3t-LM M20x1.5	2030150
HL-3-003	5t	HL-3-003-5t-LM M20x1.5	2030160
HL-3-003	5-7.5t	HL-3-003-5/6/7.5t M24x2.0	2030162
HL-3-003	10t	HL-3-003-10t-LM M30x2.0	2030170
HL-3-003	15-20t	HL-3-003-15/20t-LM M42x3.0	2030172

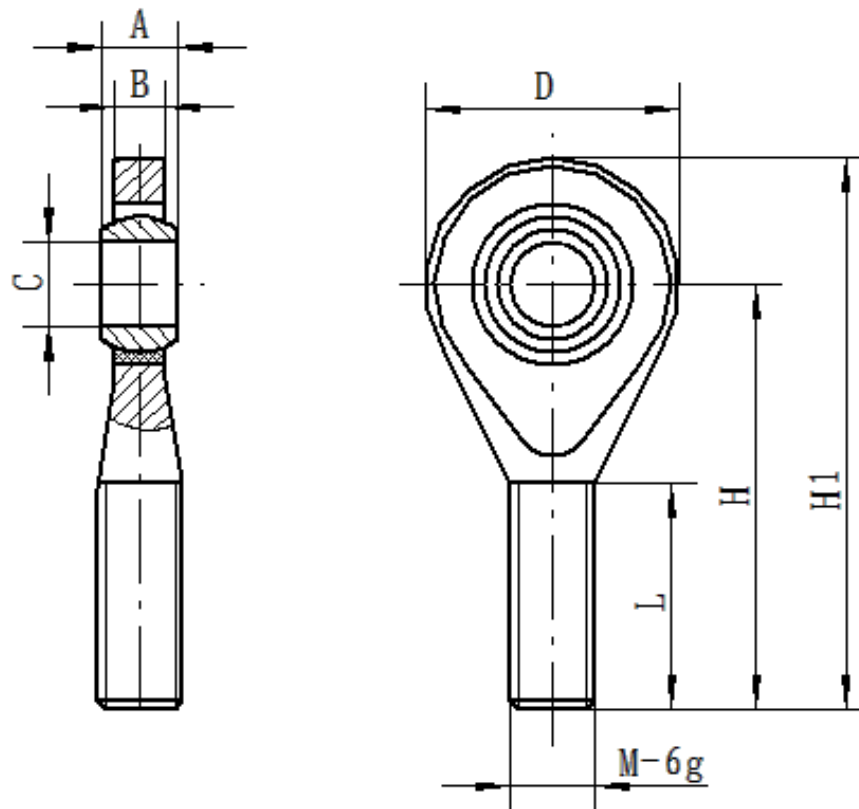
## Detailed specifications HL-3-003

Capacity	25-50kg	100-150kg	200-1000kg	1.5t	2-3t	5t	5-7.5t	10t	15/20t
Max static lifting weight	200kg	500kg	1.08t	3.0t	4.0t	6.0t	10t	18.4t	26.3t
Max dynamic lifting weight	22kg	70kg	0.49t	0.74t	1.6t	2.4t	4.3t	16.8t	12.7t

**Please note: The maximal mounting force is dependent on the applied dynamic force.**

Specifications and dimensions are subject to change without notice and do not constitute any liability whatsoever.

## Dimensions in mm



Dimension Type	Capacity	A	B	C	D	H	H1	M x P x L
HL-3-003	25-50kg	8	6.5	8	25	42	56	M8 x 1.25 x 21
HL-3-003	100-150kg	9	7.5	10	30	48	65	M10 x 1.5 x 26
HL-3-003	200kg-1t	10	8.5	12	35	54	73	M12 x 1.75 x 28
HL-3-003	1.5t	16	13.5	20	54	63	92	M12 x 1.75 x 28
HL-3-003	2t-3t	16	13.5	20	54	78	107	M20 x 1.5 x 43
HL-3-003	5t	25	18	20	50	78	103	M20 x 1.5 x 47
HL-3-003	5t-7.5t	20	16	25	62	94	125	M24 x 2 x 57
HL-3-003	10t	37	25	30	70	110	145	M30 x 2.0 x 71
HL-3-003	15t-20t	32	27	45	102	163	214	M42 x 3.0 x 94

Specifications and dimensions are subject to change without notice and do not constitute any liability whatsoever.