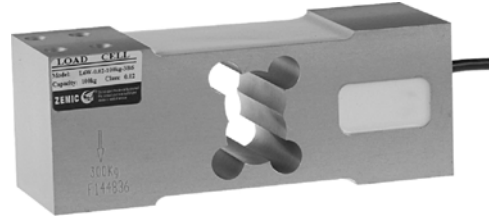


Capacity	Accuracy	Part-Number
50 kg	C3	L6W-C3-50kg-3G6
70 kg	C3	L6W-C3-70kg-3G6
100 kg	C3	L6W-C3-100kg-3G6
150 kg	C3	L6W-C3-150kg-3G6
200 kg	C3	L6W-C3-200kg-3G6
250 kg	C3	L6W-C3-250kg-3G6
300 kg	C3	L6W-C3-300kg-3G6
500 kg	C3	L6W-C3-500kg-3G6
635 kg	C3	L6W-C3-635kg-3G6

RoHS



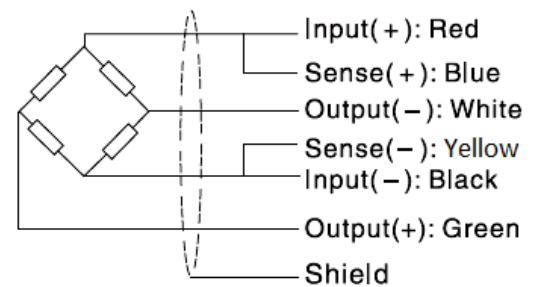
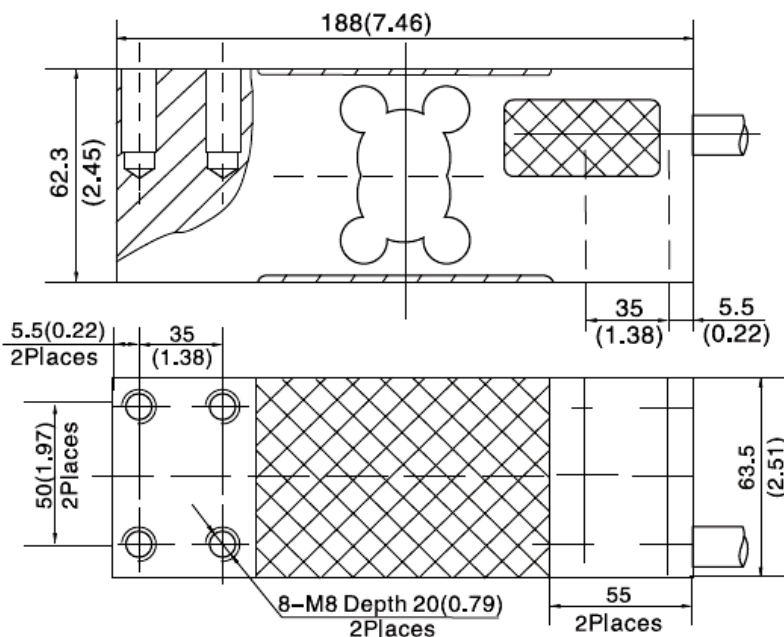
- Aluminium-Alloy IP65 single point load cell
- Colourless anodized
- Suitable for single or double load cell structured platform scales



Specification:

Accuracy class		OIML R60 C3	
Output sensitivity (= FS)	mV/V	2.0 ± 0.2	
Maximum capacity (E _{max})	kg	50, 70, 100, 150, 200, 250, 300	500, 635
Maximum number of load cell intervals (n _{LC})		3000	
Ratio of minimum LC verification interval Y = E _{max} / v _{min}		7000	10000
Combined Error	%FS	± 0.0233	
Minimum dead load	kg	0	
Safe overload	of E _{max}	150 %	
Ultimate overload	of E _{max}	300 %	
Zero balance	of FS	< ± 1.0 %	
Excitation, recommended voltage	V	5 ~ 12	
Excitation maximum	V	18	
Terminal resistance, input	Ω	406 ± 6	
Terminal resistance, output	Ω	350 ± 3	
Insulation impedance	MΩ	≥5000 (at 50VDC)	
Temperature range, compensated	°C	-10 ~ +40	
Temperature range, operating	°C	-35 ~ +65	
Element material		Aluminium	
Ingress Protection (according to EN 60529)		IP65	
Recommended torque on fixation bolts	Nm	20	
Recommended platform size	mm x mm	50 to 200kg: 600 x 600	250 to 635kg: 600 x 800

Outline Dimensions in mm



- Dimensions and specifications are subject to change without notice.

Wiring:

- Adopt a shielded, 6 conductor cable, and cable jacket is PU.
- Cable length: 3 ± 0,1m.
- Cable diameter: 4.7 ± 0,2mm.
- The shield is connected to the element.